

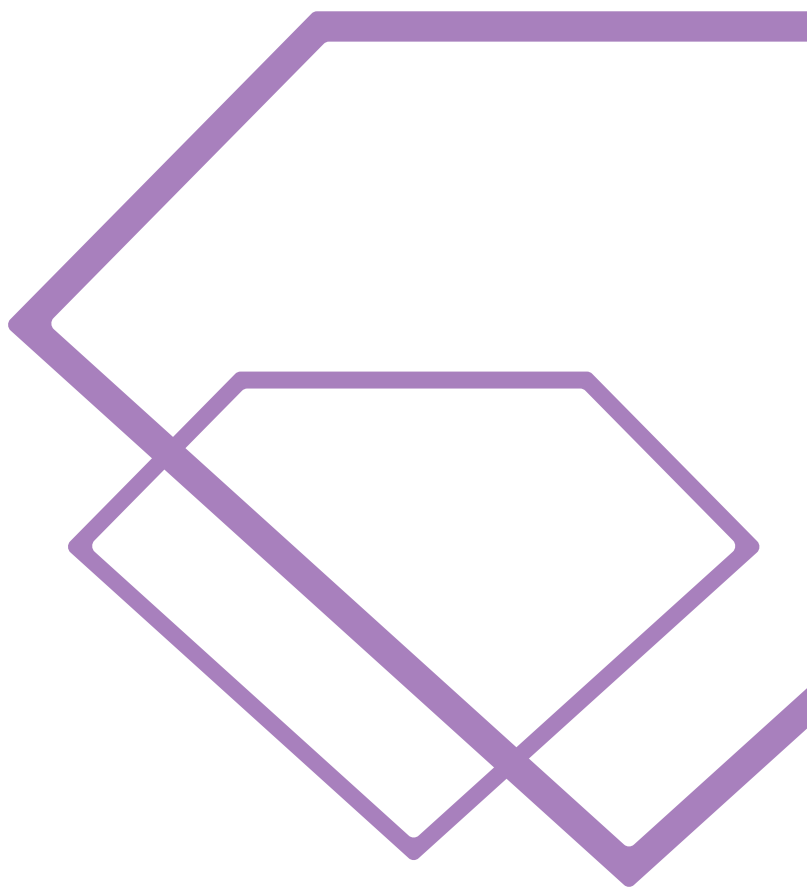
新一代智能缝纫机

NEW GENERATION OF INTELLIGENT SEWING MACHINE

HIKARI® 富山

零件手册

PARTS BOOK



H9VIA 系列
Series

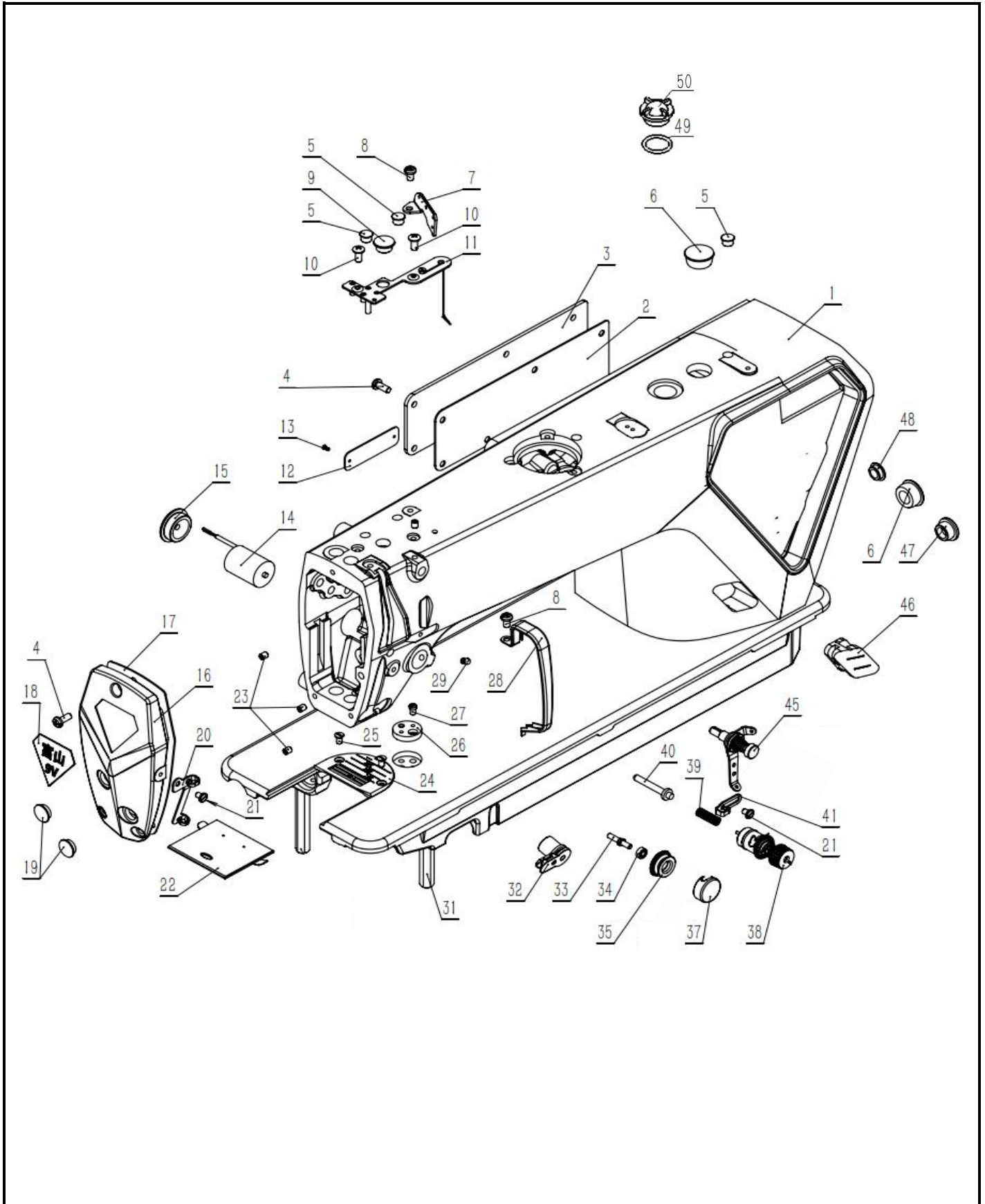
新一代智能平缝机

NEW GENERATION OF INTELLIGENT
LOCKSTITCH SEWING MACHINE

目录/Contents

1、机壳部件/Machine frame&miscellaneous cover components	P1
2、上轴·挑线部件/Main shaft&Thread take-up lever components	P5
3、针杆·竖轴·下轴部件/Needle bar,upright shaft&hook driving shaft components.....	P7
4、压杆部件/Hand lifter components.....	P9
5、送料部件/Feed mechanism components.....	P11
6、自动切线/Thread trimmer components.....	P13
7、自动倒缝部件/Automatic reverse feed components.....	P15
8、驱动部件/Driver components.....	P16
9、润滑·绕线部件/Oil lublication components&bobbin components.....	P17
10、油盘部件/Oil reservoir components.....	P19
11、附件/Accessories.....	P21

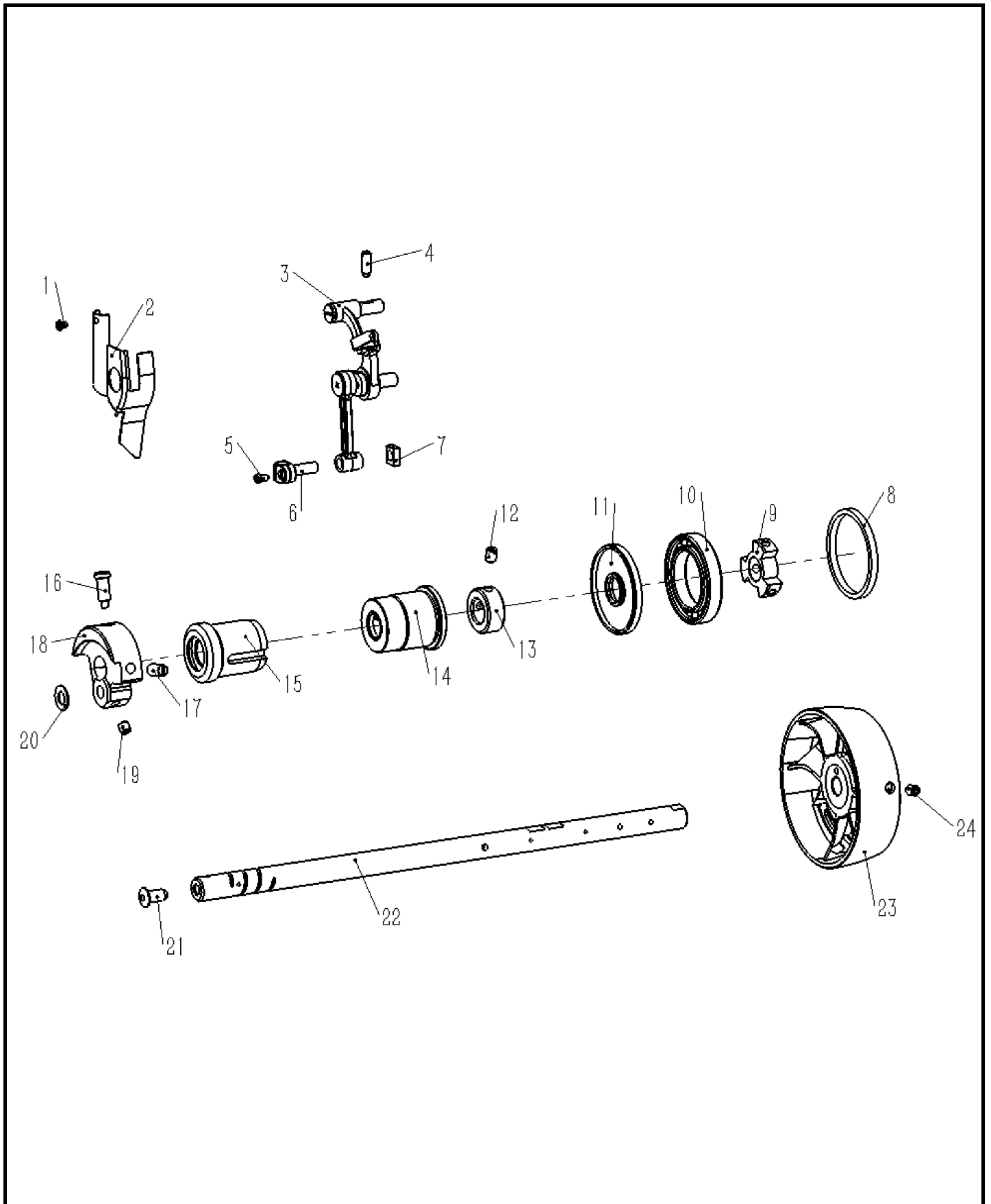
1、机壳部件/Machine frame&miscellaneous cover components



1、机壳部件/Machine frame&miscellaneous cover components

序号	图 号	名称		数量
		中文	English	H9VIA
1	135.01-51	机壳组件H9VIA	Machine cover	1
2	137.01-42	后窗板垫	Gasket	1
3	137.01-41	后窗板	Side plate	1
4	01-405001223-1	十字一字盘头螺钉	Screw	15
5	22-08506011	橡胶塞	Rubber plug	3
6	22-20809024	橡胶塞	Rubber plug	2
7	110.01-07	面线过线板	Spool pin	1
8	01-405000823-1	十字一字盘头螺钉	Screw	2
9	22-15505017	橡胶塞	Rubber plug	1
10	02-309401122-1	十字槽平圆头螺钉	Screw	2
11	128.02-05	油线支架组件	Oil line support	1
12	H0-008	综合型号牌	Model plate	1
13	17-3200500-5	半圆头铆钉	Pole	1
14	SD-39	松线电磁铁	Loose wire electromagnet	1
15	22-25007030	橡胶塞	Rubber plug	1
16	135.13-42	面板	Plate	1
17	135.13-41	面板垫	Plate stick	1
18	135.13-50	面板贴钻石型	Plate stick	1
19	22-12404016	橡胶塞	Rubber plug	2
20	101.01-32A	左过线勾	Arm thread guide Left	1
21	02-611400621-1	一字槽圆柱头大薄帽螺钉	Screw	2
22	101.01-46	推板组件	Slide plate asm.	1
23	01-805000614-1	内六角凹端紧定螺钉	Screw	4
24	110.01-44	针板	Throat plate	1
25	02-211400821-1	一字槽半沉头螺钉	Screw	2
26	103.01-11	定位座	Ruler stopper	1
27	02-911400621-1	圆柱头一字槽平端螺钉	Screw	1
28	135.04-01	挑线杆防护罩	Thread take-up lever cover	1
29	02-815280711-1	一字槽凹端紧定螺钉	Screw	1
31	135.14-08	底板支柱	Bed screw stud	2
32	JD-39	起针夹线器	Thread tension solenoid asm.	1
33	137.01-09-02	连接螺杆	Screw	1
34	14-684ZZ	轴承	Bearing	1
35	137.01-09	滑轮	Pulley	1
37	137.01-09-01	滑轮罩	Sheave cover	1
38	101.01-27	夹线器组件	Thread tension asm.	1
39	101.04-24	松线辅钉弹簧	Spring	1
40	102.04-26	松线辅钉	Loose lire pin	1
41	101.01-25	右线钩	Arm thread guide right	1
45	130.01-31	调线夹线器组件	Thread tension asm.	1
46	137.09-04	油量视窗	Fuel volume window	1
47	22-15807020	橡胶塞	Rubber plug	2
48	22-12404016	橡胶塞	Rubber plug	1
49	12-190265	O型橡胶密封圈	Rubber ring	1
50	101.09-01	油窗	Oil window	1

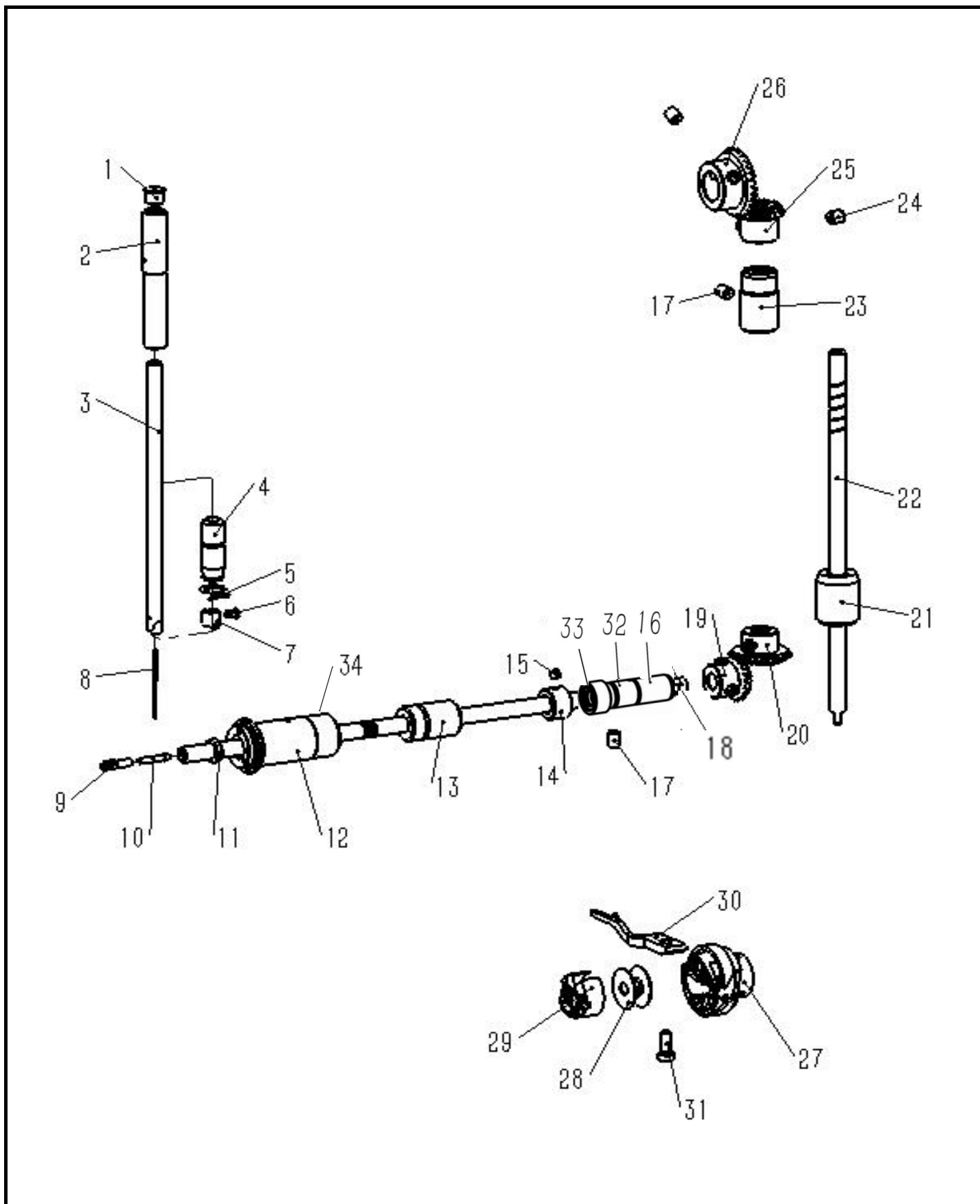
2、上轴·挑线部件/Main shaft&Thread take-up lever components



2、上轴·挑线部件/Main shaft&Thread take-up lever components

序号	图 号	名称		数量
		中文	English	H9VIA
1	02-608440421-1	一字槽圆柱头大薄帽螺钉	Screw	1
2	102.01-04-01	面板防油板	Panel oil deflector	1
3	101.02-04-02	挑线连杆	Thread take-up lever	1
4	02-815281551-1	一字槽圆柱端紧定螺钉	Screw	1
5	02-509400621-1	一字槽圆柱头螺钉	Screw	1
6	102.03-04A	针杆连接柱	Needle rod holder	1
7	102.03-06A	针杆连接柱滑块	Slide block	1
8	102.02-47	轴承垫	Bearing pad	1
9	102.02-44	连轴器(1)	Coupling	1
10	14-61907-2Z	轴承	Bearing	1
11	13-14550550	骨架油封	Skeleton oil seal	1
12	02-816400811-1	一字槽凹端紧定螺钉	Screw	2
13	102.02-23	上轴挡圈	Collar	1
14	102.02-27	上轴中轴套	Bushing, intermediate	1
15	101.02-19	上轴前轴套	Main shaft front bushing	1
16	02-418281531-1	一字槽盘头螺钉	Screw	1
17	02-818281651-1	一字槽圆柱端紧定螺钉	Screw	1
18	135.02-11	针杆曲柄	Needle bar crank	1
19	02-816400611-1	一字槽无帽凹端螺钉	Screw	2
20	05-081081553-5	平垫片	Flat gasket	1
21	22-07014012	橡胶塞	Rubber plug	1
22	102.02-38G	上轴	Main shaft	1
23	128.02-11-01	手轮	Handwheel	1
24	02-815280814-1	内六角槽无帽凹端螺钉	Screw	2

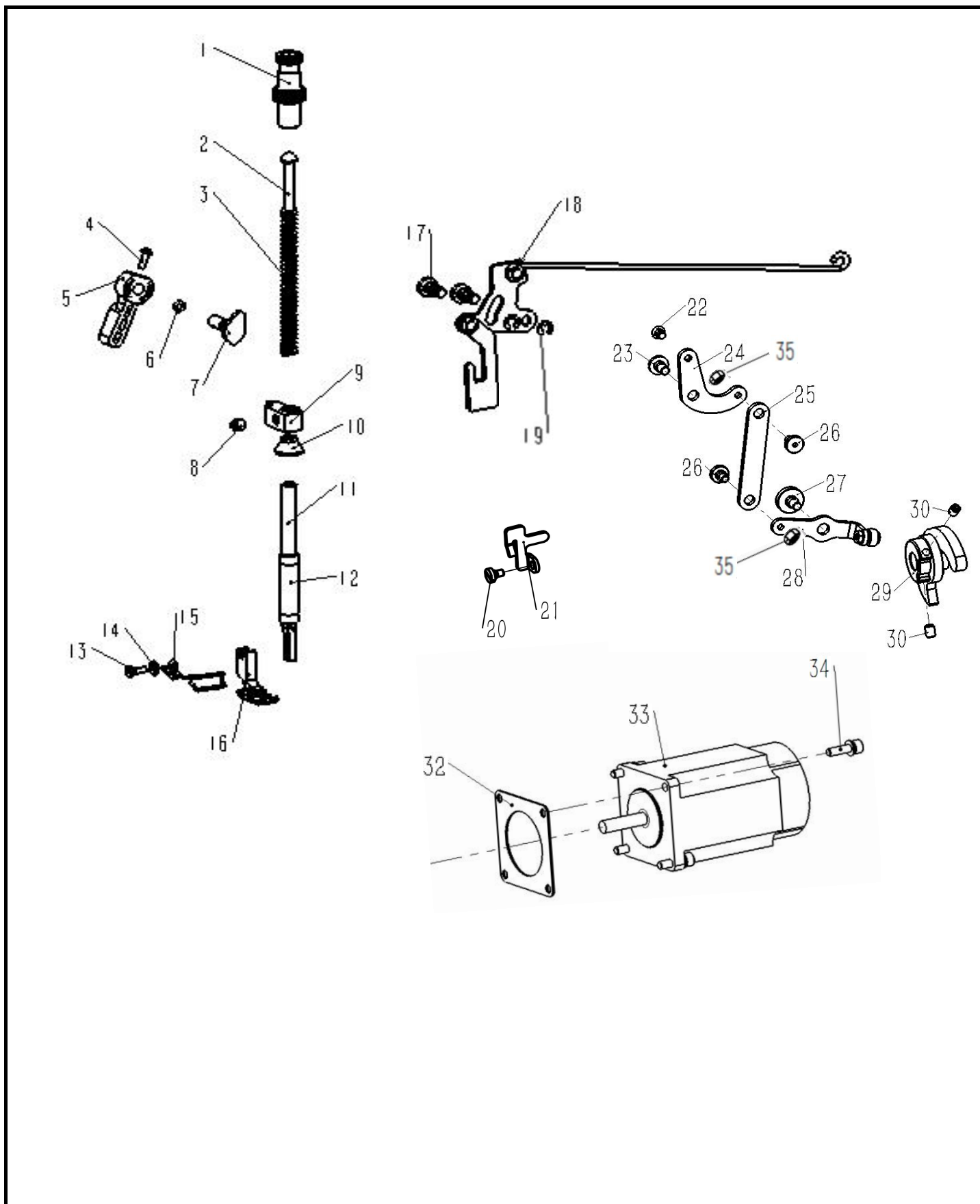
3、针杆·竖轴·下轴部件/Needle bar, upright shaft&hook driving shaft components



3、针杆·竖轴·下轴部件/Needle bar, upright shaft&hook driving shaft components

序号	图号	名称		数量
		中文	English	H9VIA
1	22-08506511	橡胶塞	Cap	1
2	101.03-02	针杆上套	Needle bar bushing (upper)	1
3	101.03-03A	针杆	Needle bar	1
4	121.03-08	针杆下套	Needle bar bushing (lower)	1
5	101.13-08	针杆线钩	Needle bar thread guide	1
6	02-508440521-1	一字槽圆柱头螺钉	Screw	1
7	101.03-10	针杆线钩	Needle bar thread guide	1
8	101.03-11	机针DB×1 14#	Needle	1
9	102.03-40	下轴限油螺钉	Oil seal screw	1
10	101.03-35A	下轴限油芯(短)	Oil wick	1
11	13-07230120	骨架油封	Skeleton oil seal	1
12	135.14-09	下轴前轴套	Lower shaft bushing	1
13	122.03-46	下轴中轴套	Bushing (intermediate)	1
14	135.14-10	下轴挡圈	Thrust collar	1
15	02-811400414-1	内六角凹端紧定螺钉	Screw	2
16	135.14-12	下轴后轴套	Bushing rear	1
17	02-815280814-1	内六角槽无帽凹端螺钉	Screw	2
18	102.03-31	下轴	Lower shaft	1
19	101.03-18	下轴伞齿轮	Conical gear	1
20	101.03-16	竖轴下伞齿轮	Gear	1
21	101.03-23	竖轴下轴套	Upright shaft bushing (lower)	1
22	101.03-20	竖轴	Upright shaft	1
23	101.03-21	竖轴上轴套	Upright shaft bushing (upper)	1
24	02-816400711-1	一字槽无帽凹端螺钉	Screw	8
25	101.03-14	竖轴上伞齿轮	Conical gear	1
26	101.03-12	上轴伞齿轮	Conical gear	1
27	101.03-36-09	德盛电脑旋梭	Hook	1
28	101.03-37-02	梭心	Bobbin	1
29	122.03-37-02	国产梭壳	Bobbin case	1
30	108.07-14	旋梭定位勾	Bobbin case holder	1
31	02-511401221-1	一字槽圆柱头螺钉	Screw	1
32	135.14-11	下轴后衬套	Lower shaft and rear shaft sle	1
33	13-08050150	骨架油封	Skeleton oil seal	1
34	13-07270220	骨架油封	Skeleton oil seal	1

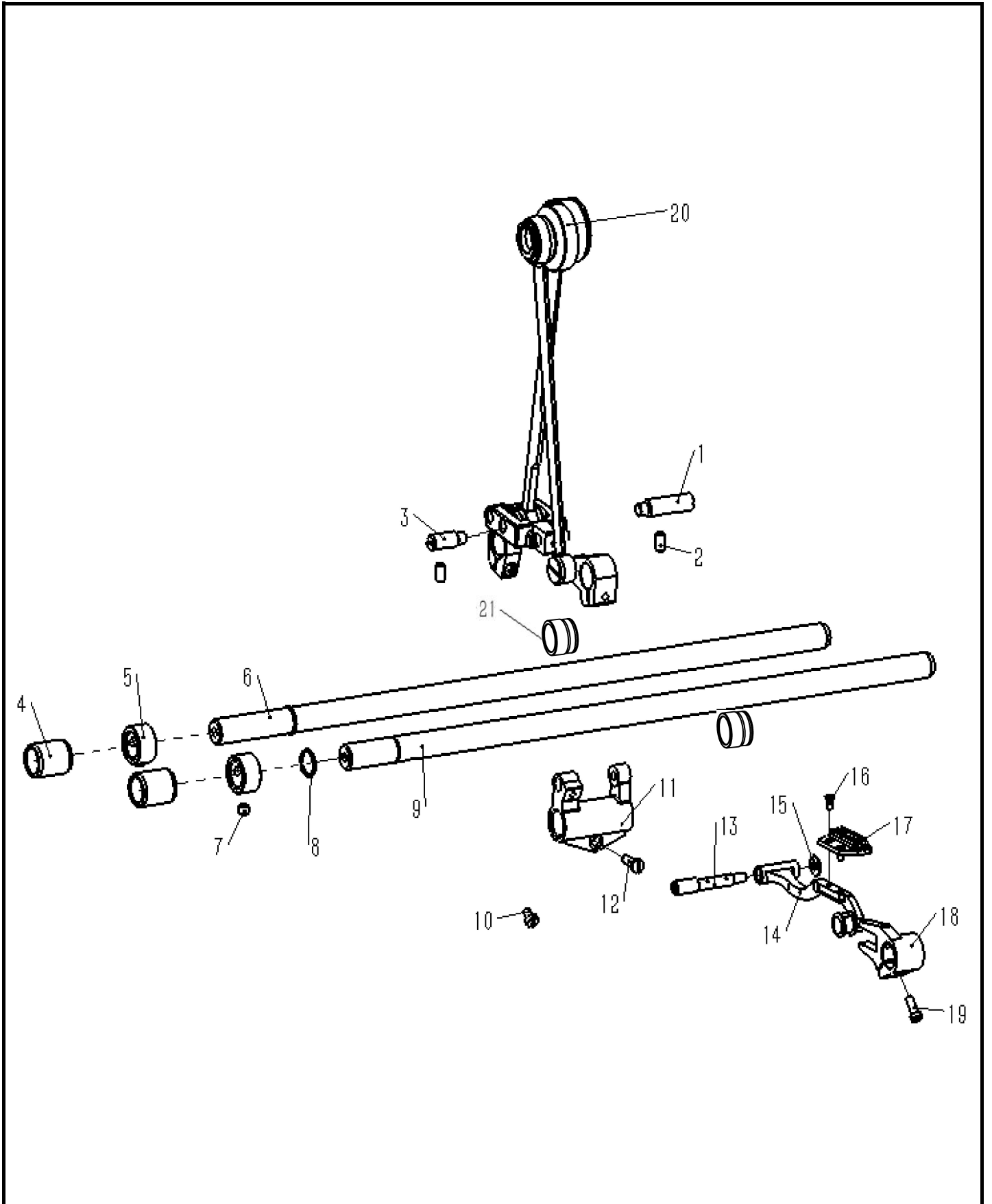
4、压杆部件/Hand lifter components



4、压杆部件/Hand lifter components

序号	图号	名称		数量
		中文	English	H9VIA
1	101.04-31	调压螺母	Presser adjusting screw nut	1
2	101.04-40	调压导杆	Presser guide bar	1
3	101.04-33	调压簧	Presser adjusting spring	1
4	19-409401023-1	十字一字盘头组合螺钉	Screw	1
5	101.04-01	压脚扳手	Hand lifter	1
6	12-038180	O型橡胶密封圈	seal ring	1
7	101.04-04	压脚扳手凸轮	Hand lifter cam asm.	1
8	02-816400711-1	一字槽凹端紧定螺钉	Screw	1
9	101.04-34A	压杆导架	Pressure bar guide	1
10	101.04-41	防油伞	Rubber	1
11	101.04-35	压杆	Presser bar	1
12	101.04-05	压杆轴套	Presser bar bushing	1
13	02-509401021-1	一字槽圆柱头螺钉	Screw	1
14	05-043080900-1	平垫片	Flat gasket	1
15	104.03-29	护指器	Finger protector	1
16	101.04-09	活压脚组件	Presser foot asm.	1
17	102.04-07	前杠杆螺纹销	Link shaft	2
18	135.04-39	前杠杆组件	Front lever assembly	2
19	06-0500810-1	开口挡圈	Circlip	3
20	130.04-35	轴位螺钉	Screw	1
21	137.04-04	松线板	Loose wire plate	1
22	101.04-11	活压脚压杆螺钉	Screw	1
23	101.04-12	后杠杆轴位螺钉	Hinge screw	1
24	135.14-21	抬压脚后杠杆	Lifting lever	1
25	135.14-20	抬压脚连杆	Lift and press the foot c	1
26	131.04-15	轴位螺钉	Screw	2
27	135.14-25	轴位螺钉	Shaft screw	1
28	135.14-19	抬压脚杠杆组件	Lifting foot lever assembly	1
29	135.14-18	针距控制凸轮	Needle pitch control cam	1
30	01-806750814-1	内六角凹端紧定螺钉	Cross-shaped plate head scr	2
32	130.05-13A	步进电机密封垫片	Washer	1
33	MO-02H-60	针距控制步进电机	Stepper motor	1
34	18-505001724-1	内六角圆柱头组合螺钉	Screw	4
35	03-605000270-1	六角螺母	Hexagonal nut	1

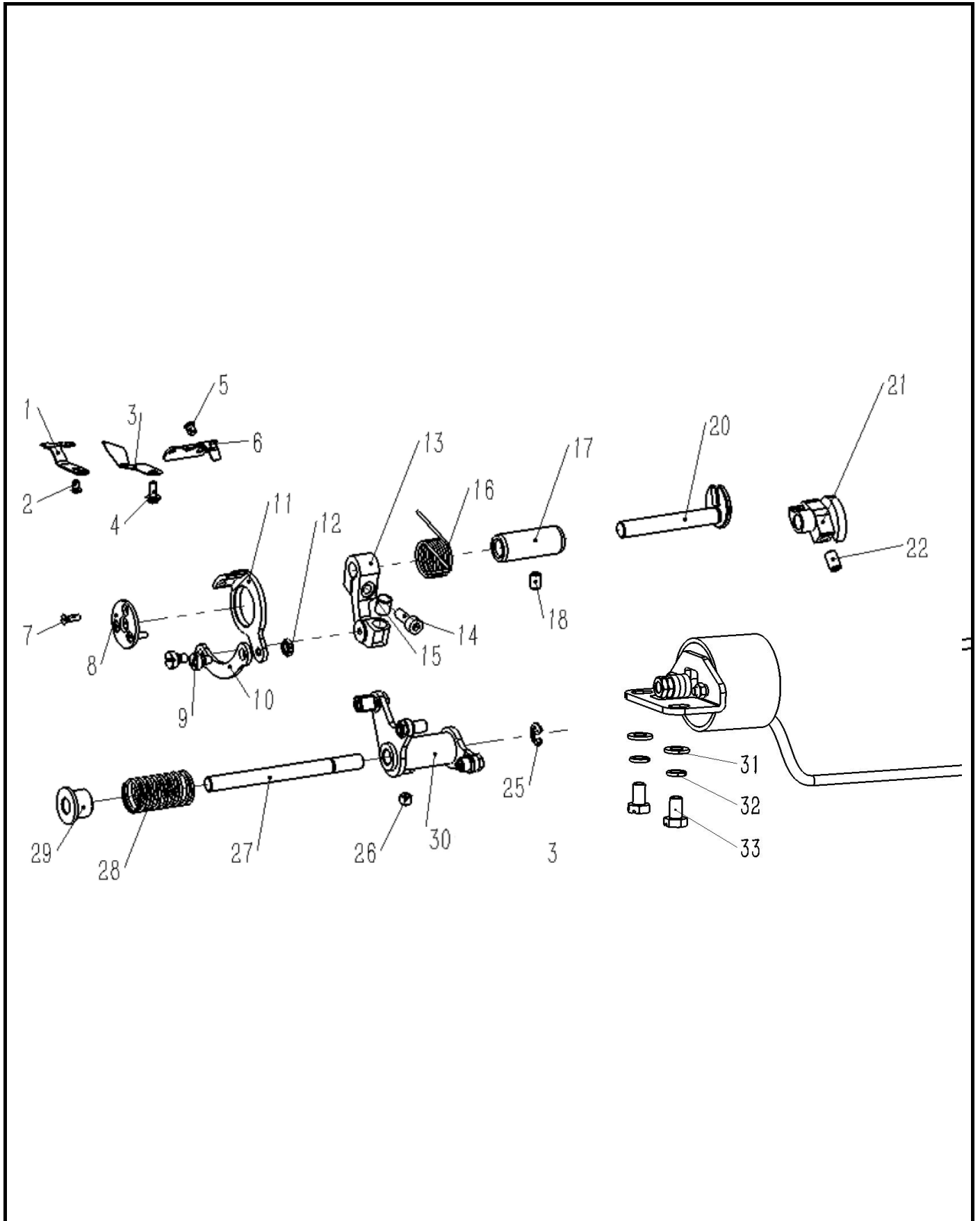
5、送料部件/Feed mechanism components



5、送料部件/Feed mechanism components

序号	图 号	名称		数量
		中文	English	H9VIA
1	135.05-01	摆动板座销钉(长)	Swing plate seat pin length	1
2	02-815281014-1	内六角槽无帽凹端螺钉	Screw	2
3	101.05-28	摆动板座销钉(短)	Adjusting link fulcrum shaft p	1
4	101.05-51A	送料轴前轴套	Feed rocker shaft bushing	2
5	101.02-17	上轴挡圈	Thrust collar	2
6	135.14-14	送料轴	Feek rocker shaft	1
7	02-816400514-1	内六角凹端紧定螺钉	Screw	4
8	10-1381017-1	轴用弹性挡圈	Retaining ring	2
9	135.14-13	抬牙轴	Feed driving shaft	1
10	02-511400721-1	一字槽圆柱头螺钉	Screw	1
11	101.05-55改	牙架座	Tooth holder	1
12	02-412281421-1	一字槽盘头螺钉	Screw	1
13	101.05-31	牙架销	Feed bar shaft pin	1
14	101.05-35-01	牙架	Dental rack	1
15	05-051081203-5	平垫片	Washer	1
16	02-608440621-1	一字槽圆柱头大薄帽螺钉	Screw	2
17	110.05-33 (1.15)	送料牙	Feed dog	1
18	101.05-57	抬牙叉曲柄	Driving shaft crank	1
19	02-511401121-1A	一字槽盘头螺钉	Screw	1
20	135.14-34	送料偏心轮组件	Feeding eccentric assembly	1
21	13-14312180	骨架油封	Skeleton oil seal	2

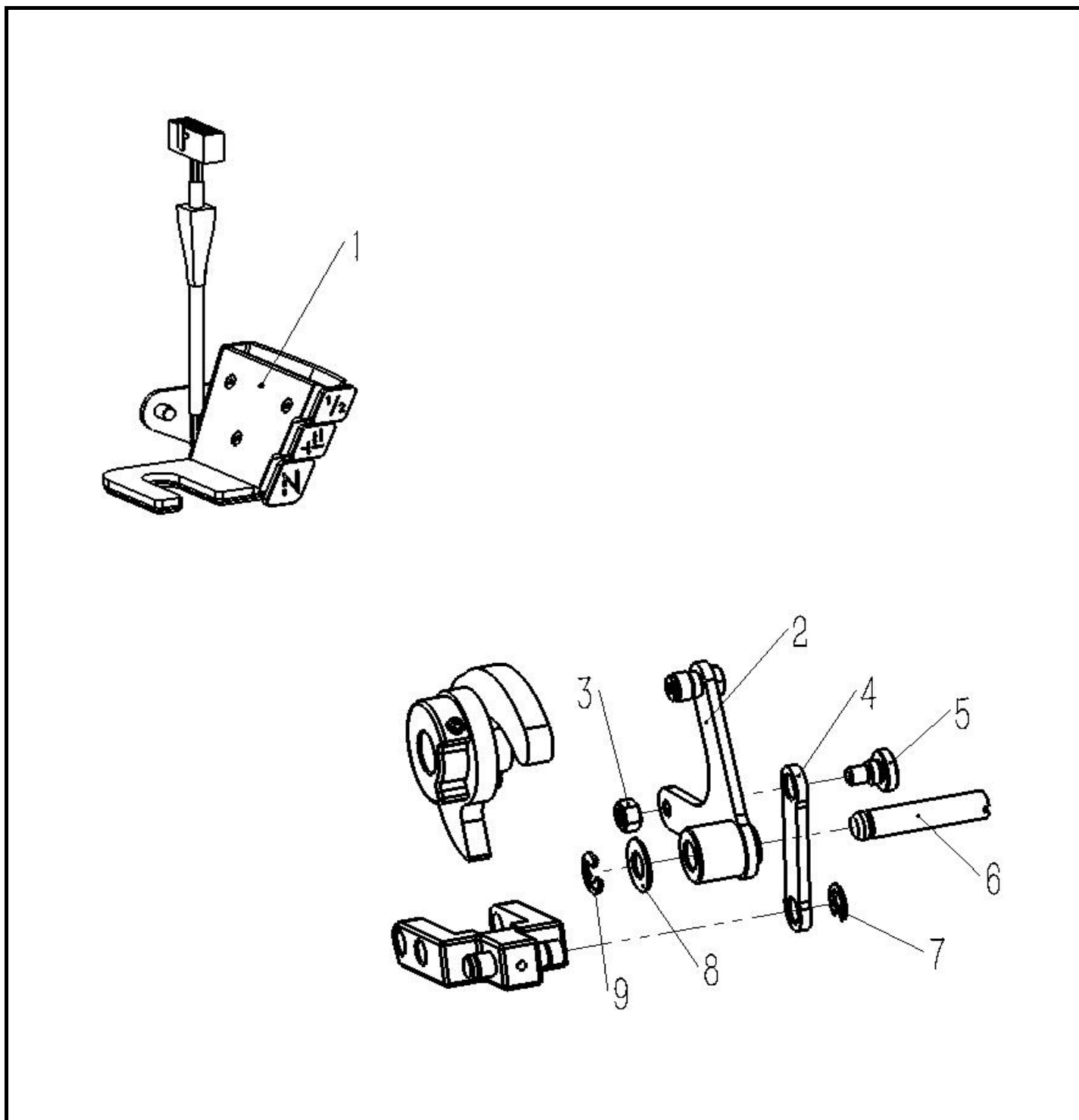
6、自动切线部件/Thread trimmer components



6、自动切线部件/Thread trimmer components

序号	图 号	名称		数量
		中文	English	H9VIA
1	102.06-04	固定刀	Secant knife	1
2	02-109400621-1	一字槽沉头螺钉	Screw	1
3	102.06-06	分线器	Protect needle patch	1
4	19-509400821-1	一字槽圆柱头组合螺钉	Screw	1
5	02-111400524-1	内六角沉头螺钉	Screw	2
6	102.06-13	活动刀	Motorial knife	1
7	01-103001021-1	一字槽沉头螺钉	Screw	3
8	103.11-13	切线架压板	Partiality shank	1
9	102.06-16	连杆螺钉	Screw	2
10	102.06-15	刀轴连杆	Knife shaft connecting rod	1
11	124.06-09	剪线刀架	Knife bracket	1
12	04-611400300-1	六角螺母	Nut	4
13	102.06-18G	切刀驱动曲柄	Thread shear rock crank	1
14	02-512321524-1	内六角圆柱头螺钉	Screw	1
15	103.11-09-06G	止动块	Positioning block	1
16	135.14-24	切线复位簧	Spring	1
17	130.06-35	切线轴套	Thread shear cam bushing	1
18	02-815280814-1	内六角槽无帽凹端螺钉	Screw	1
20	135.14-22	切刀曲柄轴	Thread shear rock arm shaft	1
21	134.06-11	切线凸轮	Thread shear cam	1
22	02-816401014-1	内六角凹端紧定螺钉	Screw	2
23	QD-40	剪线电磁铁组件	Thread trimmer solenoid	1
24	136.06-01	电磁铁缓冲垫	Magnetic plug cushion mat	1
25	06-0601012-1	开口挡圈	E-ring	1
26	02-816400514-1	内六角凹端紧定螺钉	Screw	1
27	135.14-23	切刀驱动轴	Thread shear shaft	1
28	102.06-32	切线凸轮复位弹簧	Spring	1
29	102.06-31	扭簧端盖	Spring cover	1
30	102.06-26-4	切线凸轮曲柄	Tangent cam crank	1
31	05-064161200-1	平垫片	Washer	2
32	07-0631616-1	弹簧垫圈	Spring gasket	2
33	02-715281121-1	一字槽六角头螺钉	Screw	2

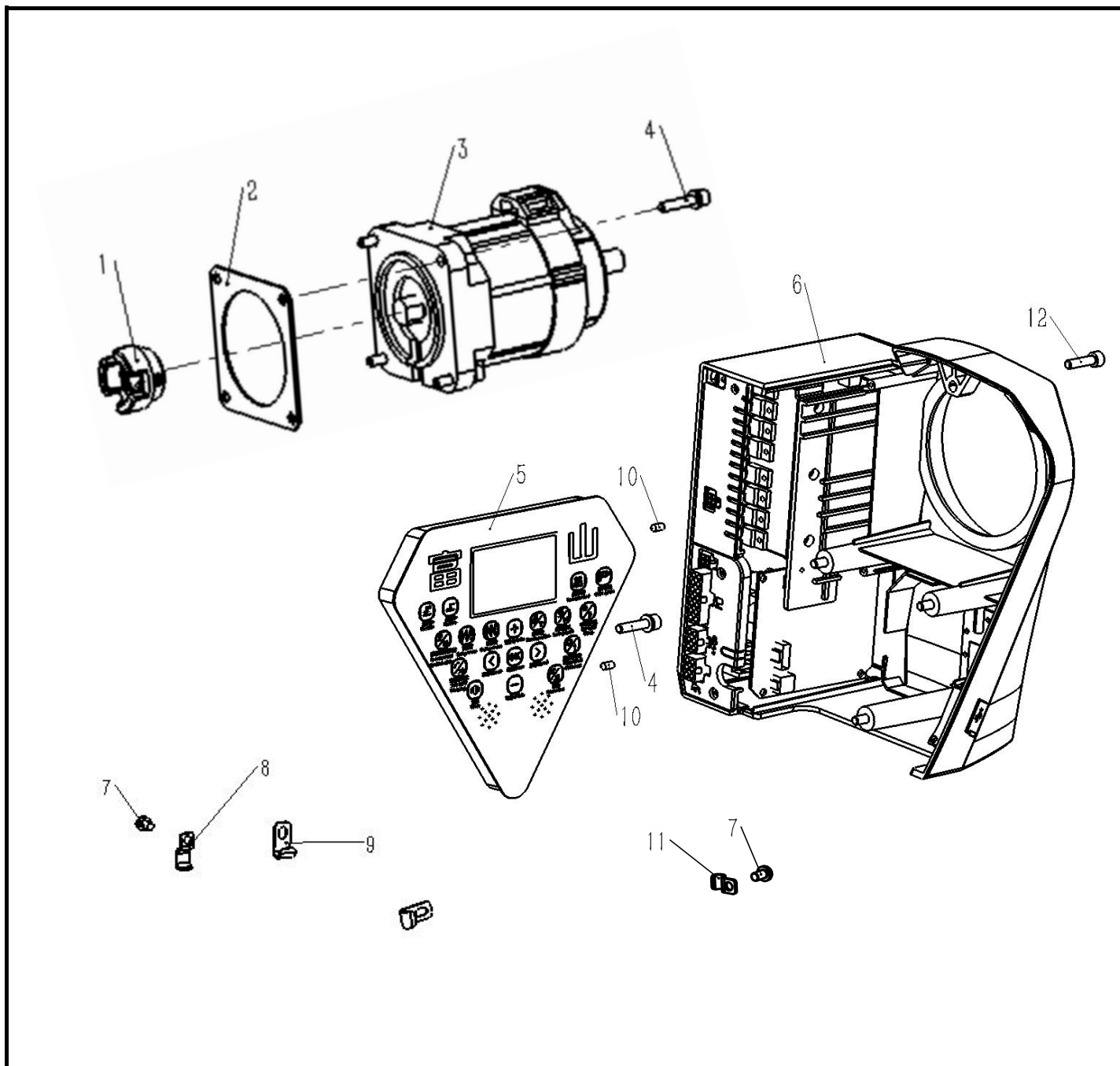
7、自动倒缝部件/Automatic reverse feed components



7、自动倒缝部件/Automatic reverse feed components

序号	图号	名称		数量
		中文	English	H9V-IA
1	DL-39	倒缝灯组件	Reverse switch asm.	1
2	135.14-16	针距控制杠杆组件	Needle pitch control lever	1
3	03-605000270-1	六角螺母	Hexagonal nut	1
4	135.14-17	针距控制连杆	Needle distance control con	1
5	131.04-15	轴位螺钉	Screw	1
6	135.14-15	针距控制杠杆销	Needle distance control lever	1
7	06-0500611-1	开口挡圈	Circlip	1
8	05-081081553-5	平垫片	Washer	1
9	06-0601012-1	开口挡圈	Circlip	1

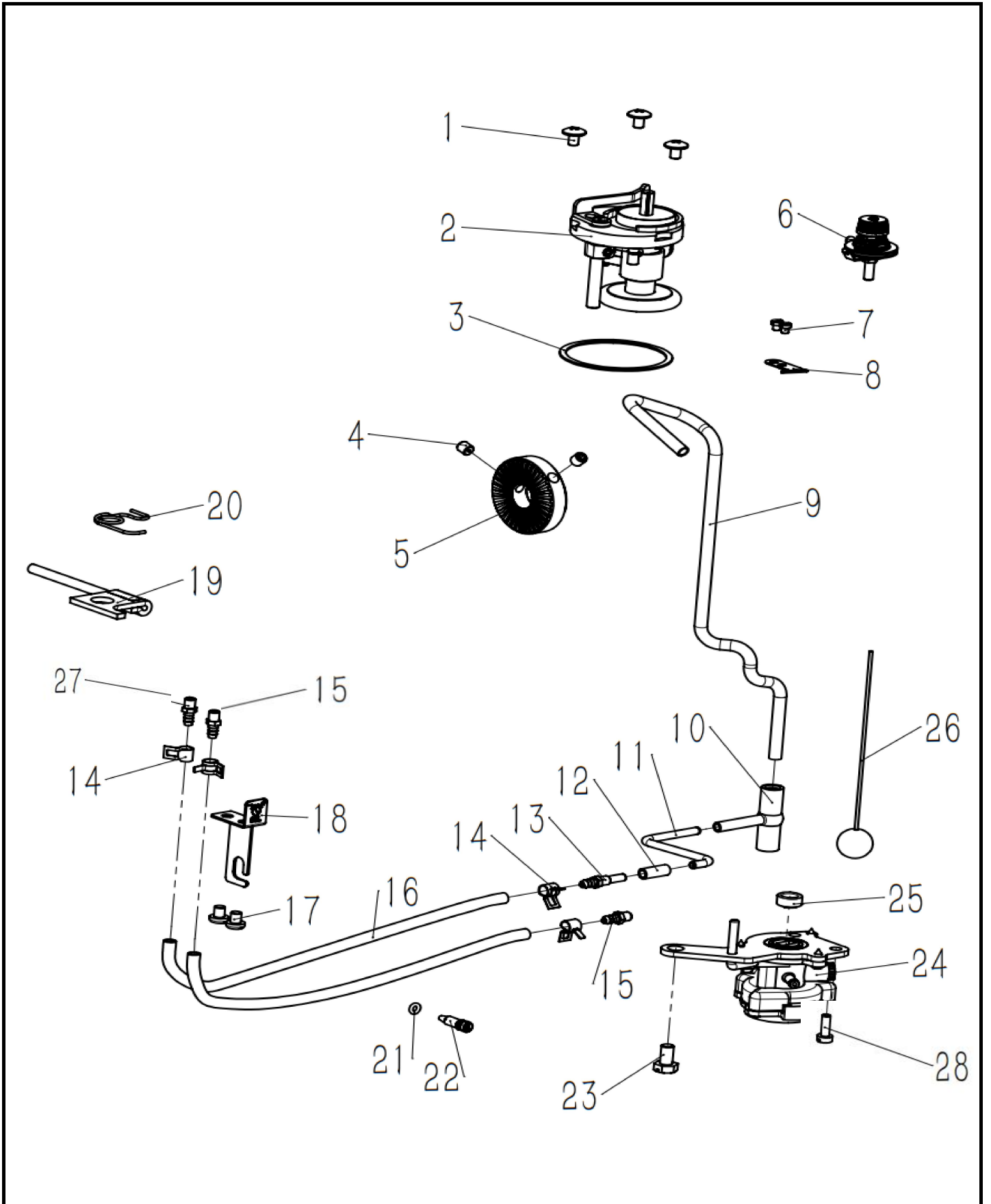
8、驱动部件/Driver components



8、驱动部件/Driver components

序号	图号	名称		数量
		中文	English	H9V-IA
1	124.02-48	电机联轴器	Motor coupling	1
2	128.08-05	电机密封垫片	Motor gasket	1
3	M0-02H-550/03	电机组件	Motor assembly	1
4	18-505002224-1	内六角圆柱头组合螺钉	Screw	5
5	CP-40H-1A	电控操作面板	Control asm.	1
6	CB-40H-1A	电控主控	Control asm.	1
7	01-405000823-1	十字一字盘头螺钉	Screw	2
8	103.18-04	线夹U2	Clamp	1
9	126.01-06	线夹	Clamp	2
10	01-804000844-1	内六角尖端紧定螺钉	Screw	2
11	160.06-13	线夹	Clamp	1
12	01-505003524-1	内六角圆柱头螺钉	Screw	4

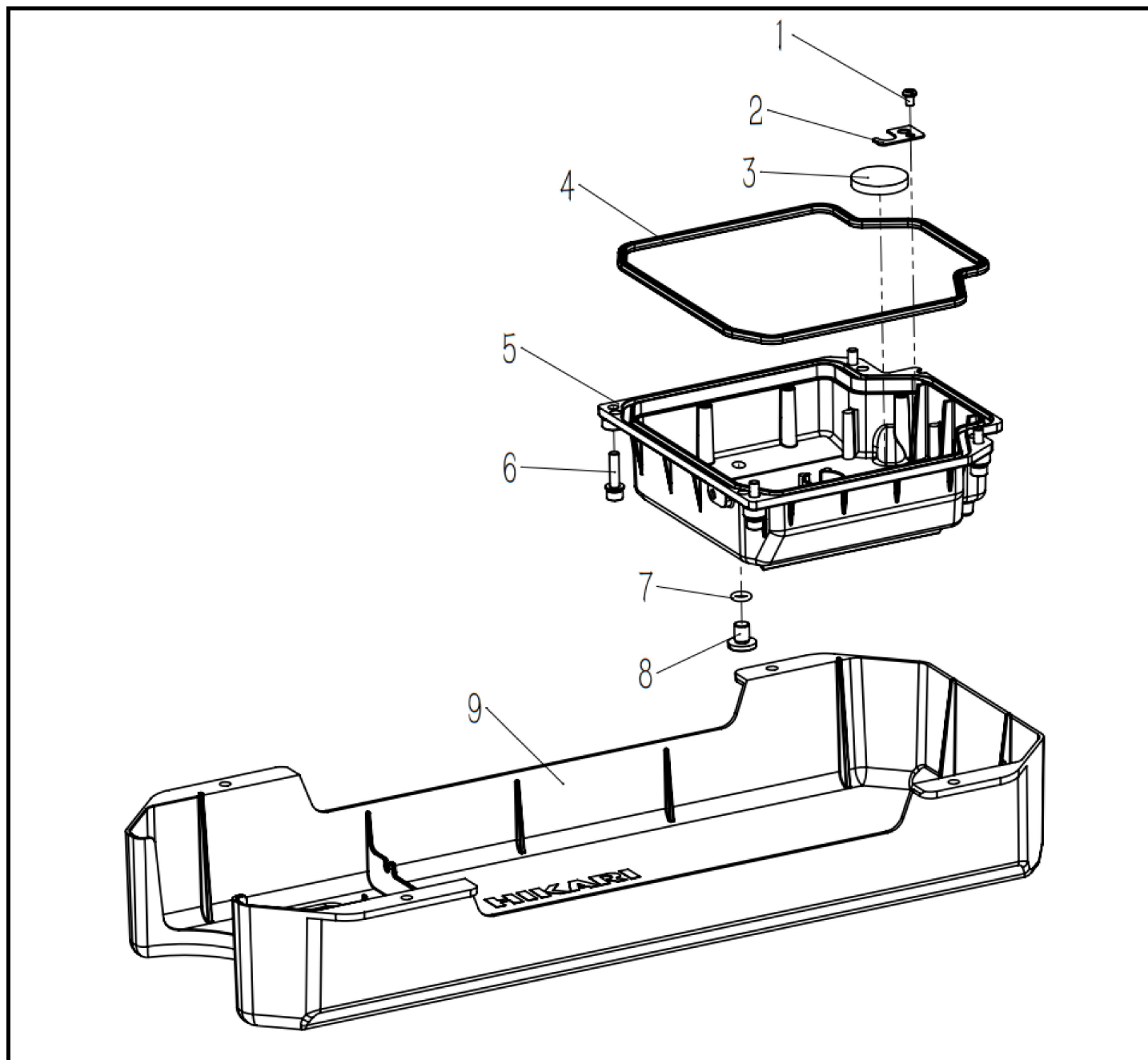
9、 润滑·绕线部件/Oil lubrication components&bobbin components



9、润滑·绕线部件/Oil lubrication components&bobbin components

序号	图号	名称		数量
		中文	English	H9VIA
1	02-312320722-3	螺钉 SM3/16× 28× 7	Screw	3
2	102.09-32A	绕线器组件	Bobbin winder unit	1
3	102.09-42	绕线轮垫圈	Washer	1
4	01-806000614-1	内六角凹端紧定螺钉	Screw	2
5	102.09-37	绕线驱动轮	Bobbin winder driving wheel	1
6	102.09-36	夹线器组件	Thread tension asm.	1
7	02-509400421-1	一字槽圆柱头螺钉	Screw	2
8	102.09-34	切刀	Knife	1
9	130.09-34	上轴供油管	Main shaft oil tube	1
10	101.09-16	供油管接头	Rubber joint	1
11	135.14-05	旋梭供油管	Oil tube	1
12	135.14-41	硅胶油管	Oil tube	1
13	135.14-04	供油口	Oil Feeding pipe	1
14	201.20-08	卡簧	Snap spring	4
15	135.14-37	供油口	Oil Feeding pipe	2
16	201.20-09YGA	油管	Oil tube	2
17	01-405000623-1	螺钉	Screw	2
18	135.14-06	油管支架	Oil pipe bracket	1
19	136.09-01	回油管组件	Oil return tube asm.	1
20	126.09-04	油毡夹	Oil felt presser	1
21	12-037140	o型圈	Rubber ring	1
22	136.09-03	油量调节螺钉	Oil adjusting screw	1
23	02-715281121-1	一字槽六角头螺钉	Screw	1
24	101.09-11	油泵组件	Lubricating oil pump asm.	1
25	132.09-01	减震圈	bumper	1
26	137.15-01	浮标组件	Oil measurement buoy	1
27	103.08-33	供油口	Oil Feeding pipe	1
28	02-511401221-1	一字槽圆柱头螺钉	Screw	1

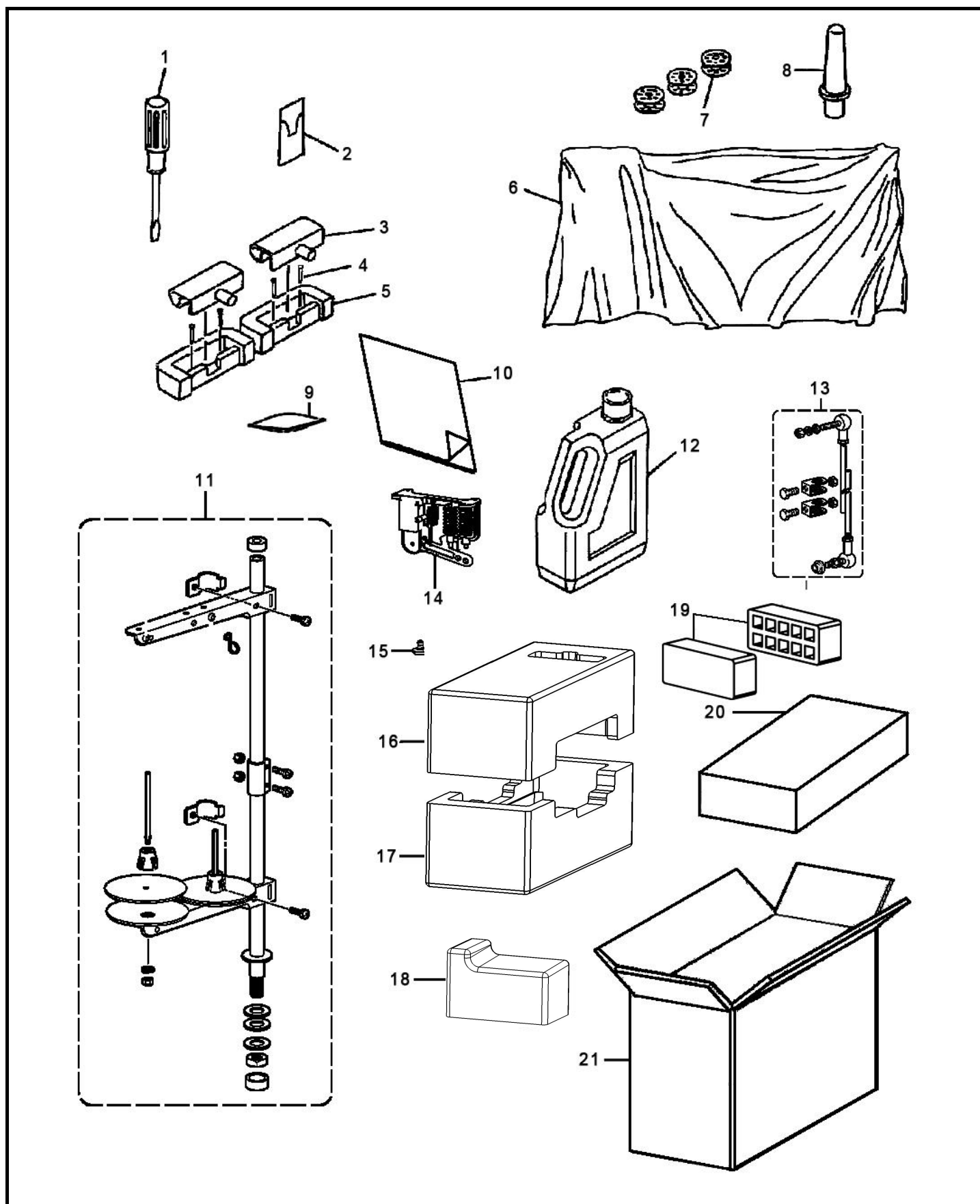
10.油盘部件/Oil reservoir components



10.油盘部件/Oil reservoir components

序号	图号	名称		数量
		中文	English	
1	01-404000623-1	螺钉	Screw	1
2	126.06-26	压线板	Pressed wire board	1
3	130.09-10	磁铁	Magnet	1
4	135.04-02	底板油盘密封圈	Rubber ring	1
5	135.14-01	密封油盘	Oil reservoir	1
6	18-505002224-1	内六角圆柱头三件套组合	Screw	4
7	12-062240	O型橡胶密封圈	Rubber ring	1
8	01-608001121-1	一字槽圆柱头大薄帽螺钉	Screw	1
9	135.14-07	塑料油盘	Oil pan	1

11.附件/Accessories



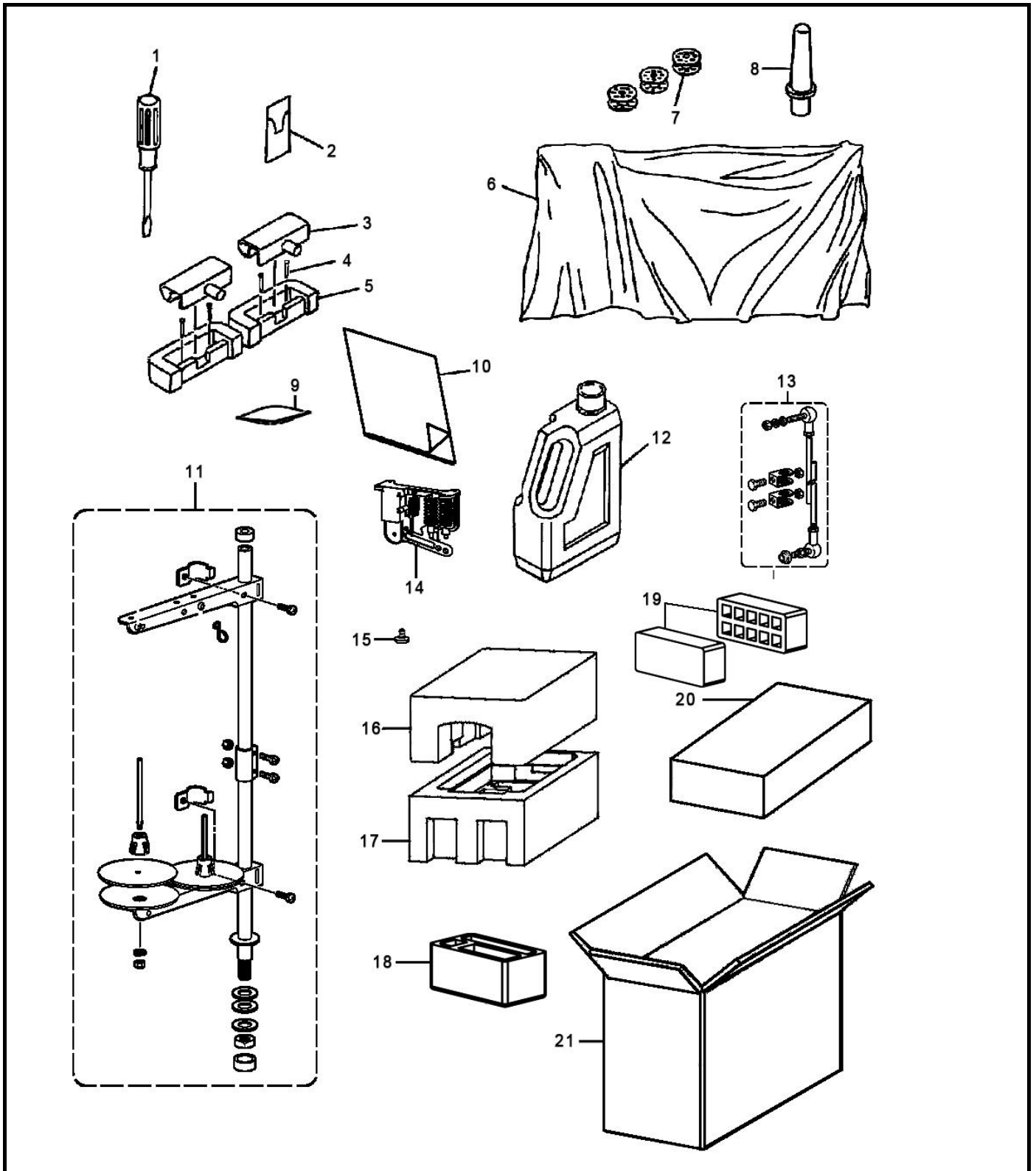
11.附件/Accessories

序号	图 号	名称		数量
		中文	English	H9VIA
1	113.16-19	两用螺丝刀	Screw driver	1
2	101.03-11	机针	Needle	4
3	101.14-01	机头连接钩	Machine hinge plate asm.	2
4	101.14-02	机头连接钩座钉	Nail	4
5	101.14-03	机头连接钩座	Machine hinge plate	2
6	136.11-02	机头罩	Macgube head cover	1
7	101.03-37-02	梭心	Bobbin	3
8	101.14-09	机头支柱	Macgube rest cover	1
9	101.12-20	空气干燥剂	Air drier	1
10	126.10-05	产品说明书及零件手册	Instruction manual&parts book	1
11	101.12-01	过线架组件	Thread stand asm.	1
12	101.14-10	油箱	Oil reservoir asm.	1
13	KS-00N-01-A00	活球连杆组件	Live festival ball link asm.	1
14	KS-27H	控速器组件	Treadle asm.	1
15	21-3501932-4	十字半圆头木螺钉	Screw	4
16	135.14-28-02	上泡沫	Foam mat (top)	1
17	135.14-28-01	下泡沫	Foam mat (bottom)	1
18	135.14-28-03	中泡沫	Foam mat (middle)	1
19	126.10-04	附件箱泡沫垫	Foam mat	1
20	126.10-03	内箱	Inside box	1
21	132.10-05	外箱	Outside box	1

10. 油盘部件/Oil reservoir components

序号	图号	名称		数量		
		中文	English	H9V-I-E	H9V-I	H9V-I-H
2	101.10-01	油盘	Oil reservoir	1		
3	101.10-02	油盘垫组件	Oil reservoir gasket	1		
4-1	101.14-13	防震垫小	Quakeproof mat, small	2		
4-2	101.14-12	防震垫大	Quakeproof mat, larger	2		
5	02-620240721-1	螺钉	Screw	1		
6	12-062240	排油孔螺钉O型圈	Rubber ring	1		
7	101.10-05-01	抬压脚双向曲柄	Knee lifting rotating arm	1		
8	101.10-05-02	双向曲柄扭簧	Spring	1		
9	06-1001020-1	抬压脚轴开口挡圈	E-ring	1		
10	101.10-05-04G	抬压脚操纵杆节头	Vertical shaft fitting arm	1		
11	01-708001425-4	操纵杆节头螺钉	Screw	2		
12	03-606000350-4	双向曲柄限位调节螺母	Nut	2		
13	01-806003021-4	双向曲柄限位调节螺钉	Screw	2		
14	01-706001735-4	双向曲柄螺钉	Screw	1		
15	101.10-05-09	抬压脚轴	Knee press cross shaft	1		
17	101.10-06-01	操纵板软垫	Knee pan plate cover	1		
18	101.10-06-02	操纵杆	Knee pan upright shaft	1		
19	101.10-06-03	操纵杆垫	Knee pan plate rubber	1		
20	101.10-06-04	操纵板	Knee pan plate	1		
21	101.10-06-05	操纵杆节头	Knee pan plate support	1		
22	01-706001025-4	节头螺钉	Screw	1		
23	103.20-20	抬压脚顶杆	Knee lifter push pin	1		

11. 附件/Accessories



11. 附件/Accessories

序号	图号	名称		数量		
		中文	English	H9V-I-F	H9V-I	H9V-I-H
1	113.16-19	两用螺丝刀	Screw driver	1		
2	101.03-11F	机针	Needle	4		
	101.03-11	机针	Needle		4	
	101.12-11-24	机针	Needle			4
3	101.14-01	机头连接钩	Machine hinge plate asm.	2		
4	101.14-02	机头连接钩座钉	Nail	4		
5	101.14-03	机头连接钩座	Machine hinge plate	2		
6	136.11-02	机头罩	Macgube head cover	1		
7	101.03-37-02	梭心	Bobbin	3		
8	101.14-09	机头支柱	Macgube rest cover	1		
9	101.12-20	空气干燥剂	Air drier	1		
10	126.10-05	产品说明书及零件手册	Instruction manual&parts book	1		
11	101.12-01	过线架组件	Thread stand asm.	1		
12	101.14-10	油箱	Oil reservoir asm.	1		
13	KS-00N-01-A00	活球连杆组件	Live festival ball link asm.	1		
14	KS-27H	控速器组件	Treadle asm.	1		
15	21-3501932-4	十字半圆头木螺钉	Screw	4		
16	135.10-04-01	上泡沫	Foam mat (top)	1		
17	135.10-04-02	下泡沫	Foam mat (bottom)	1		
18	135.10-04-03	中泡沫	Foam mat (middle)	1		
19	126.10-04	附件箱泡沫垫	Foam mat	1		
20	126.10-03	内箱	Inside box	1		
21	132.10-05	外箱	Outside box	1		



富山IoT



微信公众号



抖音官方号

上海富山精密机械科技有限公司

HIKARI (SHANGHAI) PRECISE MACHINERY SCIENCE AND TECHNOLOGY CO., LTD.

邮箱/E-mail: hikari@chinahikari.com

网址/Web: www.chinahikari.com

传真/Fax: (00)86-21-67311311

电话/Tel: (00)86-21-67311111 (转外贸部EXT .FOREIGN TRADE DEPT)

上海市金山区朱泾镇工业园区中达路800号

NO.800, ZHONGDA ROAD, ZHUJING INDUSTRIAL ZONE,

JINSHAN DISTRICT, SHANGHAI CHINA



QUANTITY ATTESTATION
ISO9001质量体系认证